

Belo_BE_75

Installation

Pendant or surface mounted version.

Connection

Non dimmable luminaire are equipped by 3-pole terminal block

Luminaires for dimming are delivered with 5-pole terminal block

Material

The body of the luminaire is curved extruded aluminium, powder coated finish

Light source

LED Tridonic or TCI, min. 125Lm/W, 3000K or 4000K

Diffuser

PMMA acryl satine

Light distribution

Direct symmetrical

Emergency lighting

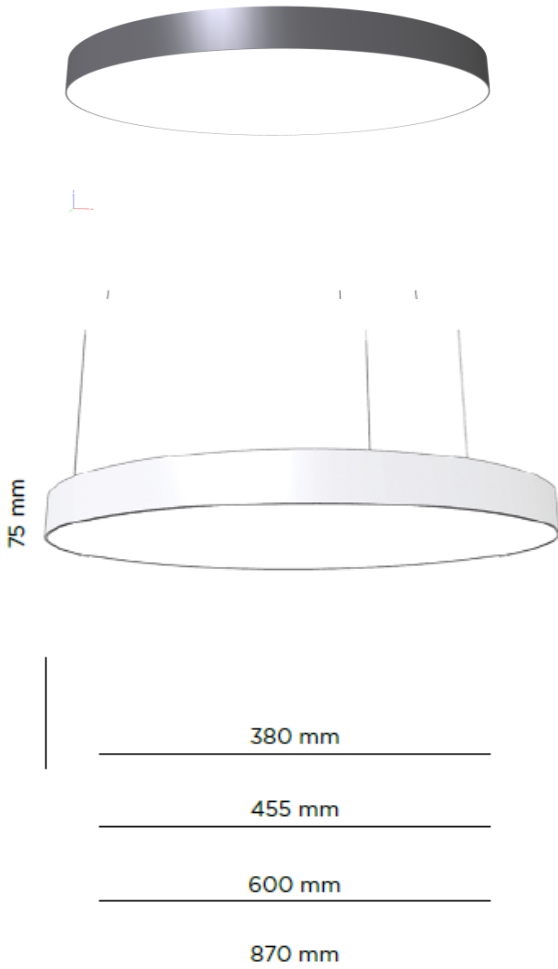
There is a unit with integrated emergency unit

Dimming

Most models can be equipped by ballast for dimming (touch. Dim, DALI)

Accessories

Installation fittings and supplementary details, see accessories



CODE	L mm	W	Lm 3000K/4000K
SBC/BE380/LED	380	17	2550/2700
SBC/BE455/LED	455	25	2950/3040
SBC/BE600/LED	600	48	7360/7720
SBC/BE870/LED	870	65	9680/10120

MODEL		
CEILING SBC/BE	SUSPENDED SBS/BE	
FINISH		
WHITE /WH	BLACK /BL	SILVER /SI
COLOR TEMPERATURE		
3000K /3K	4000K /4K	
LIGHT CONTROL		
ON/OFF /-	DALI /dali	
OPTIC		
PMMA /-		