

□ BELO LO OV 80 RECESSED

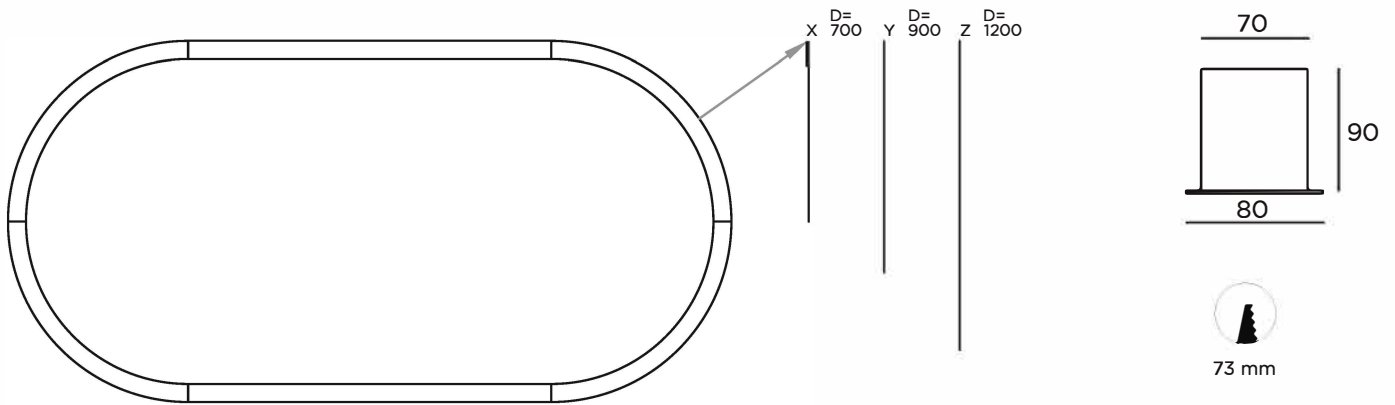




A 847 _____

B 1129 _____

C 1411 _____



DIRECT CODE	(mm)	W	Lm from 3000K/4000K
SBV/80/OV/AX	700x1547x90	54	8710/9230
SBV/80/OV/AY	900x1747x90	62	10050/10650
SBV/80/OV/AZ	1200x2047x90	74	12060/12780
SBV/80/OV/BX	700x1829x90	62	10050/10650
SBV/80/OV/BY	900x2029x90	70	11390/12070
SBV/80/OV/BZ	1200x2329x90	81	13400/14200
SBV/80/OV/CX	700x2111x90	70	11390/12070
SBV/80/OV/CY	900x2311x90	78	12730/13490
SBV/80/OV/CZ	1200x2611x90	91	14740/15620

INSTALLATION

Recessed version

CONNECTION

Non dimmable luminaires are delivered with 3-pole terminal block
Luminaires for dimming are delivered with 5-pole terminal block

MATERIAL

The body of the luminaire is curved extruded aluminium, powder coated finish

LIGHT SOURCE

LED Tridonic or TCI, min. 150Lm/W, 3000K or 4000K

DIFFUSER

PMMA OPAL
PRISMATIC

LIGHT DISTRIBUTION

Direct symmetrical

EMERGENCY LIGHTING

A unit with integrated emergency is an option

DIMMING

Most models can be delivered with ballast for dimming (TOUCHDIM, DALI)

COLOR TEMPERATURE

3000K /3K
4000K /4K

OPTIC

PMMA OPAL /--
PRISMATIC /P

DIMMABLE OPTIONS

DALI, TOUCHDIM /DALI
WIRELESS /WRS

COLORS

	WHITE	/WH
	BLACK	/BL
	SILVER	/SI
	ANTRACIT	/AT
	GOLD	/GL
	BRONZE	/BR